

**Product features:**

- Metal construction throughout
- Single lever control for effortless single handed control
- Minimalist planate design form
- Antisplash spout supplied as standard

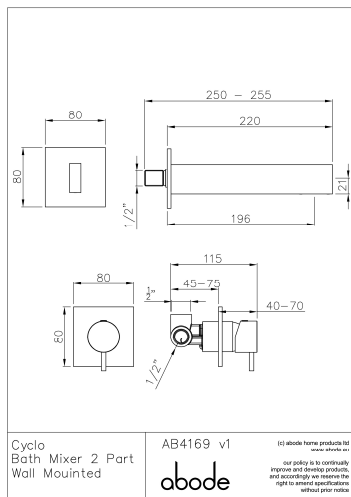
**Packaged properties:**

Box length (mm): 440      Box depth(mm): 90  
Box width(mm): 260      Boxed weight (Kg): 3.5

Includes pop up waste?: N/A

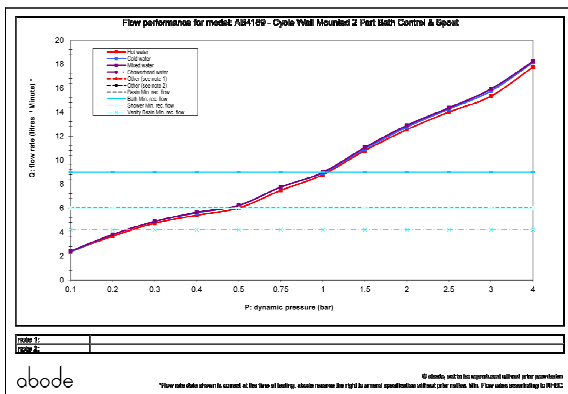
Additional comments:

**Product dimensions:**



- **Product mounted where:** Wall
- **Recommended hole size:** 60x60 mm
- **Overall Height / projection:** 220 mm
- **Exit reach:** 196 mm
- **Exit height:** 21 mm
- **Base size:** 80x80 mm
- **Inlet centre distance(s):** N/A mm
- **Min. fitting depth required:** 45-75 mm
- **Max. surface depth:** N/A mm

**Product flow characteristics:**



- **Min / Max water pressure (bar):** 1.00\* / 5.50
- **Part G max. mixed flow rate at 3 bar (l/m):** 15.93
- **Inlet connection type / length:** Fixed / N/A mm
- **Inlet (plumbing connection) / outlet size:** 1/2" F / 1/2" F
- **Product flow characteristics:** Single flow
- **Non return valve(s) supplied or position:** No
- **Aerator type:** Rectangular Neoperl antisplash (high flow)
- **Control valve type:** Single lever (35mm)
- **Includes output diverter?:** No
- **Inlet meshed particle filters included:** No
- **Shower hose type / length:** N/A / N/A

**Warranty Summary** (full details available on request):

- Materials and workmanship defects warranted for 5 years
- Valves and working parts warranted for 5 years
- Surface warranty defects warranted for 1 year
- O-rings, hoses & gaskets warranted for 1 year

**Care instructions:**

- Clean the mixers and showers regularly as required, using soap, do not use any other cleaners.
- Regular cleaning will prevent the build up of lime scale and dirt
- After cleaning rinse thoroughly with clean water to remove any cleaner residue
- Residues of liquid soaps, shampoos and shower foams can also cause damage, so rinse with clean water after using, avoid contact with any abrasives