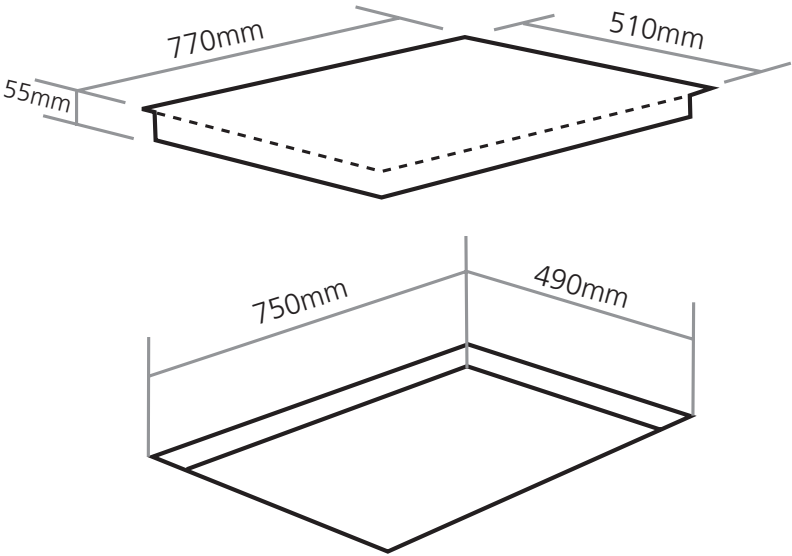


Product installation diagrams

Models:
C867i



A minimum ventilation of 100cm² is required
