



### Product features:

- Metal & ABS construction
- Multi spray pattern showerhead
- 5 year limited warranty
- A modern design classic style
- Luscious European quality chromium plate finish

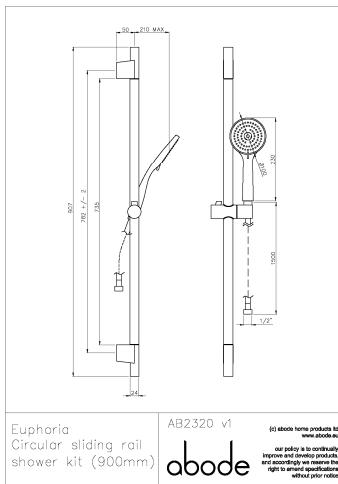
### Packaged properties:

**Box length:** 800 mm      **Box depth:** 80 mm  
**Box width:** 220 mm      **Boxed weight:** 0.94 kg

**Includes pop up waste?:** N/A

**Additional comments:**

### Product dimensions:



Euphoria  
Circular sliding rail  
shower kit (900mm)

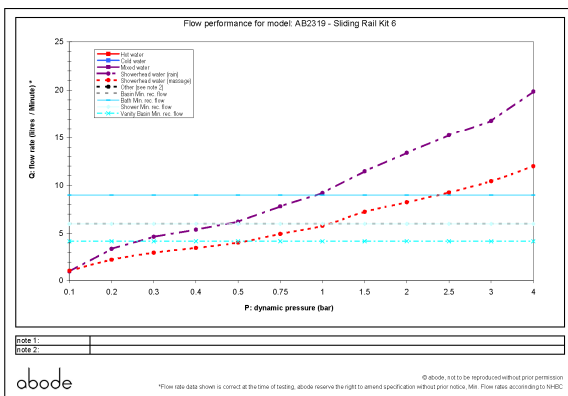
AB2320 v1

abode

(c) abode home products ltd  
www.abode.co.uk  
our products are continually  
improved and amended products,  
and accordingly we reserve the  
right to amend specifications  
without prior notice.

- **Overall Height / projection:** 907 mm
- **Exit reach:** 210 mm
- **Exit height:** adjustable mm
- **Centre distance(s):** 782 +/- 2 mm
- **Base diameter(s):** 44 x 28 mm
- **Product mounted where:** Wall
- **Recommended hole diameter:** n/a mm
- **Min. fitting depth required:** 35 mm
- **Max. surface depth:** N/A mm

### Product flow characteristics:



- **Min / Max water pressure:** 0.6 / 5.5 bar
- **Part G mixed flow rate at 3 bar (l/m):** 16.81
- **Max water temperature:** 70° C
- **Product flow characteristics:** N/A
- **Aerator type:** Dark grey silicone rub clean nozzles
- **Includes output diverter?:** No
- **Control valve type:** N/A (N/A)
- **Non return valve position:** no
- **Mesh particle filter size:** n/a
- **Inlet / outlet size:** 1/2" F / 1/2" F
- **Inlet type / length:** N/a / n/a mm
- **Shower hose type / length:** Smoothflex / 2.00 m

### Warranty Summary (Full details available on request):

- Materials and workmanship defects warranted for 5 years
- Valves and working parts warranted for 5 years
- Surface warranty defects warranted for 1 year
- O-rings, hoses & gaskets warranted for 1 year

### Care instructions:

- Clean the mixers and showers regularly as required, using soap, do not use any other cleaners.
- Regular cleaning will prevent the build up of lime scale and dirt
- After cleaning rinse thoroughly with clean water to remove any cleaner residue
- Residues of liquid soaps, shampoos and shower foams can also cause damage, so rinse with clean water after using, avoid contact with any abrasives