

Product Finish: Chrome

Product code: AT1222  
EAN13 barcode: 5060048383928



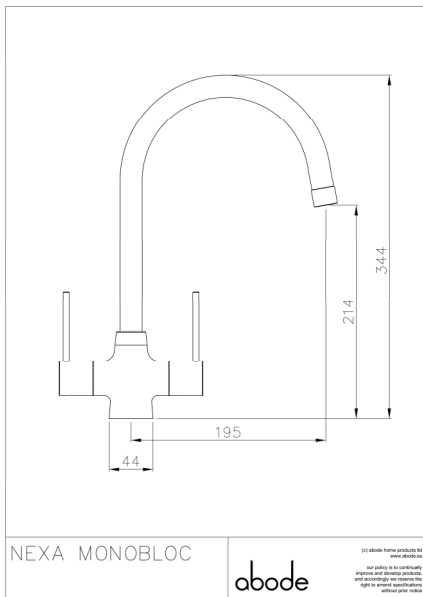
**Product features:**

- Metal construction throughout
- Quarter turn handle action for precise flow control
- Minimalist planate design form
- Antisplash spout supplied as standard
- Supplied with copper tail pipes for maximum stability and flow

**Additional information / Parts included:**

1 x fixing stud m8 x 69.5mm, 1 x triangular stabiliser, 1 x worktop seal, 1 x rubber seal, 1 x metal horseshoe, 1 x fixing nut

**Product dimensions:**



- Overall Height / projection: 344 mm
- Exit reach: 195 mm
- Exit height: 214 mm
- Centre distance(s):

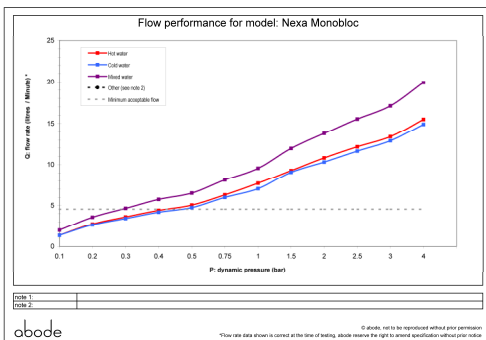
- Base diameter(s): 44 mm
- Recommended hole diameter: Ø 35 mm
- Max. surface depth: 40 mm

- Spout diameter: 22 mm
- Spout aerator size: 22f

**Packaged properties:**

Box length: 420mm	Box depth: 75mm
Box width: 420mm	Units per outer: 5
Tap only weight: 1.28kg	Boxed weight: 1.82kg

**Product flow characteristics:**



- Min / Max water pressure: 0.30 / 5.5 bar
- Recommended / Max water temperature: 46°C / 70°C
- Part G - Mixed flow rate at 3 bar (litres / min): 17.12

- Control valve type: Ceramic disc QT
- Product flow characteristics: Dual flow
- Non return valve(s): No, none required

- Aerator type: Neoperl aerator honeycomb dual flow
- Accepts revolve / spray areator: Yes
- Spout connection method: Locking collar

- Tail pipe inlet / outlet size: M12 / 15mm Ø
- Inlet pipe type / length: copper rigid tube / 245 mm

**Care instructions summary:**

- Clean the mixers and showers regularly as required, using soap, do not use any other cleaners.
- Regular cleaning will prevent the build up of lime scale and dirt
- After cleaning rinse thoroughly with clean water to remove any cleaner residue
- Residues of sink & worktop cleaners can also cause damage, so rinse with clean water after using, avoid contact with any abrasives

**Warranty Summary** (Full details available on request):

- Materials and workmanship defects warranted for 5 years
- Valves and working parts warranted for 5 years
- Surface warranty defects warranted for 1 year
- O-rings, hoses & gaskets warranted for 1 year