



Product features:

- Metal & ABS construction
- Thermostatic valve for safety & comfort
- 2 exit alternate control for output to 2 x shower or 1 x shower & 1 x bath
- Minimalist planate design form
- 5 year limited warranty

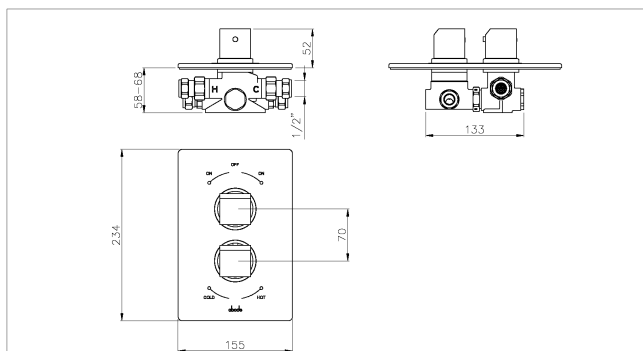
Packaged properties:

Box length: 250 mm **Box depth:** 150 mm
Box width: 160 mm **Boxed weight:** 2.66 kg

Includes pop up waste?: No

Additional comments:

Product dimensions:



- Overall Height / projection: 52 mm
- Exit reach: N/A mm
- Exit height: N/A mm
- Centre distance(s): N/A mm
- Base diameter(s): 155 x 234 mm
- Product mounted where: Wall
- Recommended hole diameter: 155 x 140 x 60 mm
- Min. fitting depth required: 58-68 mm
- Max. surface depth: N/A mm

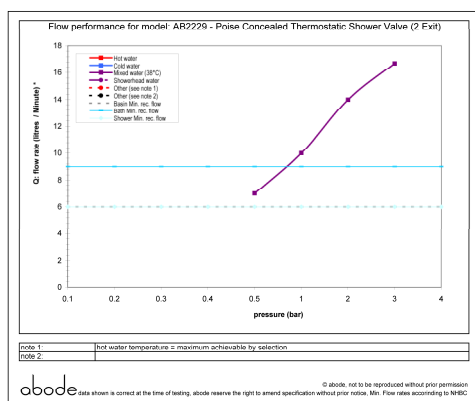
Euphoria
Thermostatic 2 Exit Concealed
Shower (Zeal/Poise/Extase)

AB2229 v1

abode

(c) abode home products ltd
www.abode.eu
Our policy is to continually
improve and develop products,
and accordingly we reserve the
right to amend specifications
without prior notice

Product flow characteristics:



- Min / Max water pressure: 0.5 / 5 bar
- Part G mixed flow rate at 3 bar (l/m): 16.7

- Max water temperature: 70° C
- Product flow characteristics: N/A
- Aerator type: N/A
- Includes output diverter?: Yes
- Control valve type: Thermostatic (new plastic type)
- Non return valve position: h&c inlet
- Mesh particle filter size: 0.6 (3/4" gasket)
- Inlet / outlet size: 1/2" M / 1/2" M
- Inlet type / length: Fixed / N/A mm
- Shower hose type / length: N/A / N/A

Warranty Summary (Full details available on request):

- Materials and workmanship defects warranted for 5 years
- Valves and working parts warranted for 5 years
- Surface warranty defects warranted for 1 year
- O-rings, hoses & gaskets warranted for 1 year

Care instructions:

- Clean the mixers and showers regularly as required, using soap, do not use any other cleaners.
- Regular cleaning will prevent the build up of lime scale and dirt
- After cleaning rinse thoroughly with clean water to remove any cleaner residue
- Residues of liquid soaps, shampoos and shower foams can also cause damage, so rinse with clean water after using, avoid contact with any abrasives