

abode *Brompton Single Lever c/w integral Hendon Sidespray*

Product Finish: Chrome

Product code: AT3017
EAN13 barcode: 5060048383263



Product features:

- Low lead brass construction
- Single lever control for effortless single handed control
- Elegant classic retro design form
- Integral diverter from spout to sprayhead (spout flow stops when spray activated)
- Leading design performance requiring higher pressures

Additional information / Parts included:

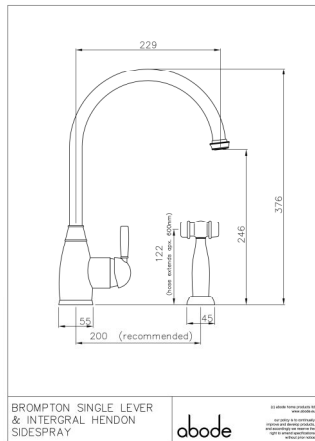
Triangular stabiliser, Cache aerator key

Packaged properties:

Box length (mm): 605 **Box depth (mm):** 85
Box width (mm): 320 **Units per outer:** 5

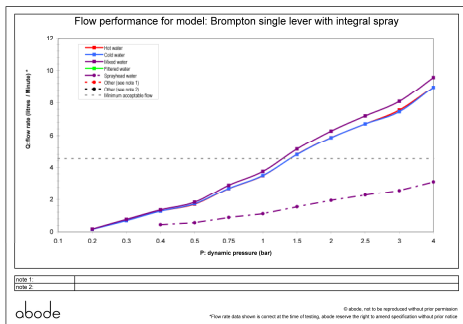
Tap only weight (kg): 3.36
Boxed weight (kg): 4.14

Product dimensions:



- **Overall Height / projection (mm):** 385
- **Exit reach (mm):** 229
- **Exit height (mm):** 255
- **Centre distance(s):** N/A
- **Base diameter(s) (mm):** 55
- **Recommended hole diameter (mm):** Ø 35
- **Max. surface depth (mm):** 85
- **Spout diameter (mm):** 20
- **Spout aerator size:** M20

Product flow characteristics:



- **Min / Max water pressure (bar):** 1.25 / 5.5
- **Recommended / Max water temperature:** 46°C / 70°C
- **Part G - Mixed flow rate at 3 bar (litres / min):** 8.09
- **Control valve type:** Single lever ceramic cartridge
- **Product flow characteristics:** Single flow
- **Non-return/Check valve(s):** Integral to H & C inlets and sprayhead
- **Aerator type:** Neoperl SLIM AIR CCSLC – STD flow class V
- **Accepts revolve / spray aerator:** No
- **Spout connection method:** Locking collar
- **Tail pipe inlet / outlet size:** 1/2" BSP Male / M10
- **Inlet pipe type / length (mm):** flexible stainless braided hose / 480

Care instructions summary:

- Clean the product regularly using a mild washing up liquid, do not use any other cleaners.
- Regular cleaning will prevent the build up of lime scale and dirt
- After cleaning rinse thoroughly with clean water to remove any cleaner residue
- Residues of sink & worktop cleaners can also cause damage, so rinse with clean water after using, avoid contact with any abrasives

Warranty Summary (Full details available on request):

- Materials and workmanship defects warranted for 5 years
- Valves and working parts warranted for 5 years
- Surface warranty defects warranted for 5 years
- O-rings, hoses & gaskets warranted for 5 years

