



### Product features:

- Metal construction throughout
- Custom designed for lower range pressures
- Single lever control for effortless single handed control
- Supplied complete with flexible tail pipes for fast simple fitting
- A modern design classic style

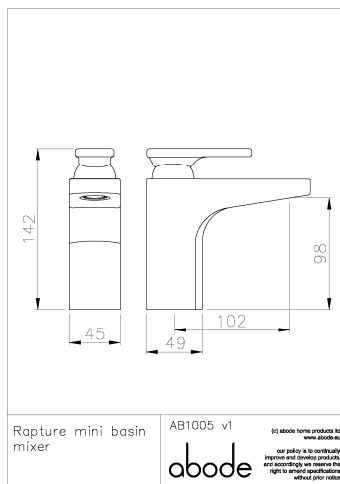
### Packaged properties:

**Box length:** 395 mm      **Box depth:** 95 mm  
**Box width:** 165 mm      **Boxed weight:** 1.92 kg

**Includes pop up waste?:** No

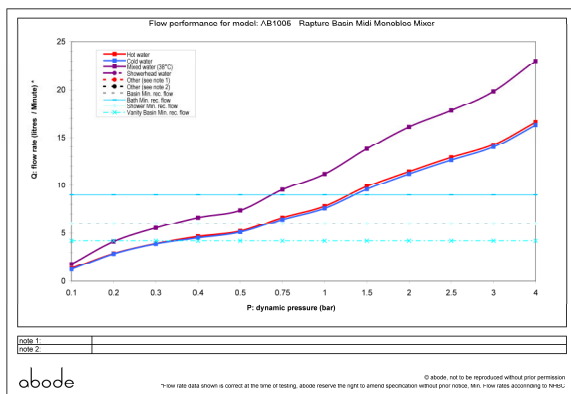
**Additional comments:**

### Product dimensions:



- **Overall Height / projection:** 142 mm
- **Exit reach:** 102 mm
- **Exit height:** 98 mm
- **Centre distance(s):** N/A mm
- **Base diameter(s):** 45 x 49 mm
- **Product mounted where:** Surface
- **Recommended hole diameter:** 35 mm
- **Min. fitting depth required:** N/A mm
- **Max. surface depth:** 68 mm

### Product flow characteristics:



- **Min / Max water pressure:** 0.3 / 5.5 bar
- **Part G mixed flow rate at 3 bar (l/m):** 19.83
- **Max water temperature:** 70° C
- **Product flow characteristics:** Single flow
- **Aerator type:** Plastic honeycomb
- **Includes output diverter?:** N/A
- **Control valve type:** Single lever (35)
- **Non return valve position:** No
- **Mesh particle filter size:** N/A
- **Inlet / outlet size:** 1/2" F / M10
- **Inlet type / length:** Flexi / 420 mm
- **Shower hose type / length:** N/A / N/A

### Warranty Summary (Full details available on request):

- Materials and workmanship defects warranted for 5 years
- Valves and working parts warranted for 5 years
- Surface warranty defects warranted for 1 year
- O-rings, hoses & gaskets warranted for 1 year

### Care instructions:

- Clean the mixers and showers regularly as required, using soap, do not use any other cleaners.
- Regular cleaning will prevent the build up of lime scale and dirt
- After cleaning rinse thoroughly with clean water to remove any cleaner residue
- Residues of liquid soaps, shampoos and shower foams can also cause damage, so rinse with clean water after using, avoid contact with any abrasives