



Product features:

- Minimalist planate design form
- Fixed spout to prevent accidental water damage
- Luscious European quality chromium plate finish
- Custom designed for lower range pressures
- 5 year limited warranty

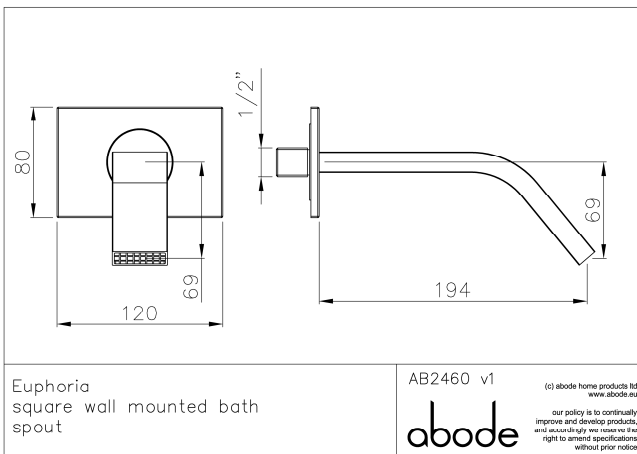
Packaged properties:

Box length: 375 mm **Box depth:** 75 mm
Box width: 175 mm **Boxed weight:** 0.93 kg

Includes pop up waste?: No

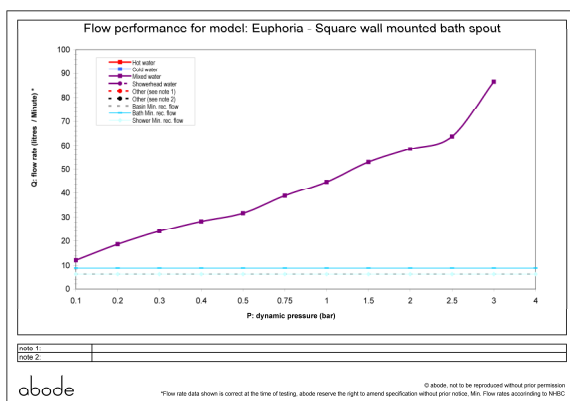
Additional comments:

Product dimensions:



- **Overall Height / projection:** 205 mm
- **Exit reach:** 194 mm
- **Exit height:** 69 mm
- **Centre distance(s):** N/A mm
- **Base diameter(s):** 120 x 80 mm
- **Product mounted where:** Wall
- **Recommended hole diameter:** 25 - 45 mm
- **Min. fitting depth required:** 25 mm
- **Max. surface depth:** N/A mm

Product flow characteristics:



- **Min / Max water pressure:** 0.2 / 5 bar
- **Part G mixed flow rate at 3 bar (l/m):** 63.8
- **Max water temperature:** 70° C
- **Product flow characteristics:** Single flow
- **Aerator type:** Grey flow straightener
- **Includes output diverter?:** No
- **Control valve type:** N/A (N/A)
- **Non return valve position:** No
- **Mesh particle filter size:** N/A
- **Inlet / outlet size:** 1/2" M / N/A
- **Inlet type / length:** Fixed / 25 mm
- **Shower hose type / length:** N/A / N/A

Warranty Summary (Full details available on request):

- Materials and workmanship defects warranted for 5 years
- Valves and working parts warranted for 5 years
- Surface warranty defects warranted for 1 year
- O-rings, hoses & gaskets warranted for 1 year

Care instructions:

- Clean the mixers and showers regularly as required, using soap, do not use any other cleaners.
- Regular cleaning will prevent the build up of lime scale and dirt
- After cleaning rinse thoroughly with clean water to remove any cleaner residue
- Residues of liquid soaps, shampoos and shower foams can also cause damage, so rinse with clean water after using, avoid contact with any abrasives