

Product Finish: Chrome

Product code: AT1210  
EAN13 barcode: 5060048383812

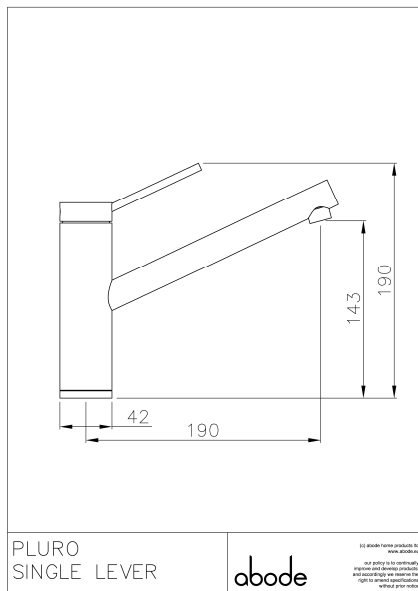


**Product features:**

- Metal construction throughout
- Single lever control for effortless single handed control
- Modern minimalism with flair
- Luscious European quality chromium plate finish
- Supplied complete with flexible tail pipes for fast simple fitting

**Additional information / Parts included:**

**Product dimensions:**



- Overall Height / projection: 190 mm
- Exit reach: 190 mm
- Exit height: 143 mm
- Centre distance(s):

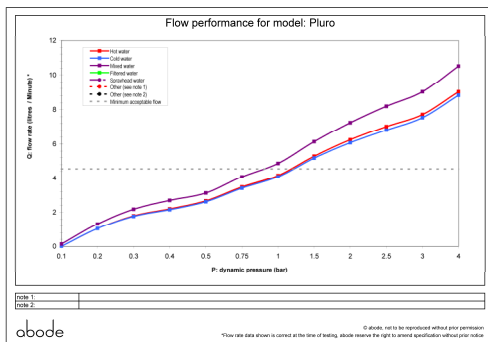
- Base diameter(s): 42 mm
- Recommended hole diameter: Ø 35 mm
- Max. surface depth: 40 mm

- Spout diameter: 22 mm
- Spout aerator size: 18f

**Packaged properties:**

- Box length: 415mm
- Box width: 190mm
- Box depth: 85mm
- Units per outer: 6
- Tap only weight: 1.06kg
- Boxed weight: 1.86kg

**Product flow characteristics:**



- Min / Max water pressure: 1.00 / 5.5 bar
- Recommended / Max water temperature: 46°C / 70°C
- Part G - Mixed flow rate at 3 bar (litres / min): 08.08

- Control valve type: Single lever ceramic cartridge
- Product flow characteristics: Single flow
- Non return valve(s): Hot & cold (separate)

- Aerator type: Plastic mesh diffuser
- Accepts revolve / spray areator: No
- Spout connection method: N/a

- Tail pipe inlet / outlet size: M10 / 1/2" BSP Female
- Inlet pipe type / length: flexible stainless braided hose / 355 mm

**Care instructions summary:**

- Clean the mixers and showers regularly as required, using soap, do not use any other cleaners.
- Regular cleaning will prevent the build up of lime scale and dirt
- After cleaning rinse thoroughly with clean water to remove any cleaner residue
- Residues of sink & worktop cleaners can also cause damage, so rinse with clean water after using, avoid contact with any abrasives

**Warranty Summary** (Full details available on request):

- Materials and workmanship defects warranted for 5 years
- Valves and working parts warranted for 5 years
- Surface warranty defects warranted for 1 year
- O-rings, hoses & gaskets warranted for 1 year