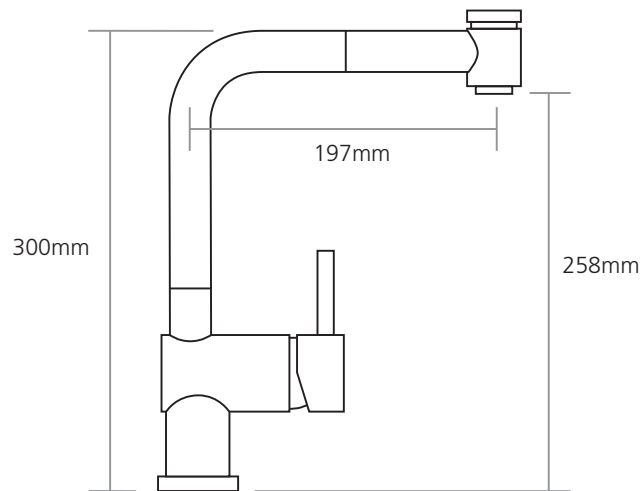


Product installation diagrams

Models:
LAG-CH



Note: Pull out hose extends by 460mm

Worktop cut-out 35mm required
