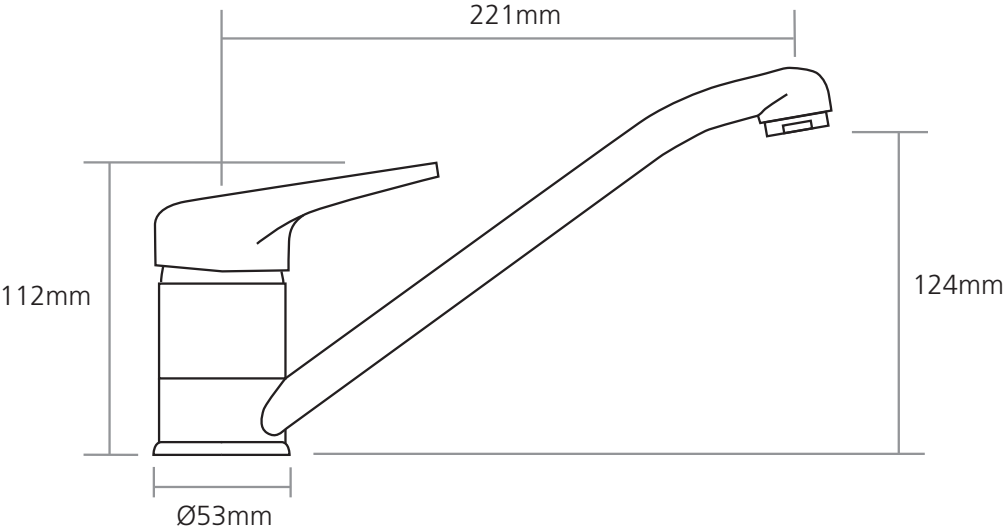


Product installation diagrams

Models:
SLD2/CH



Worktop cut-out 35mm required
