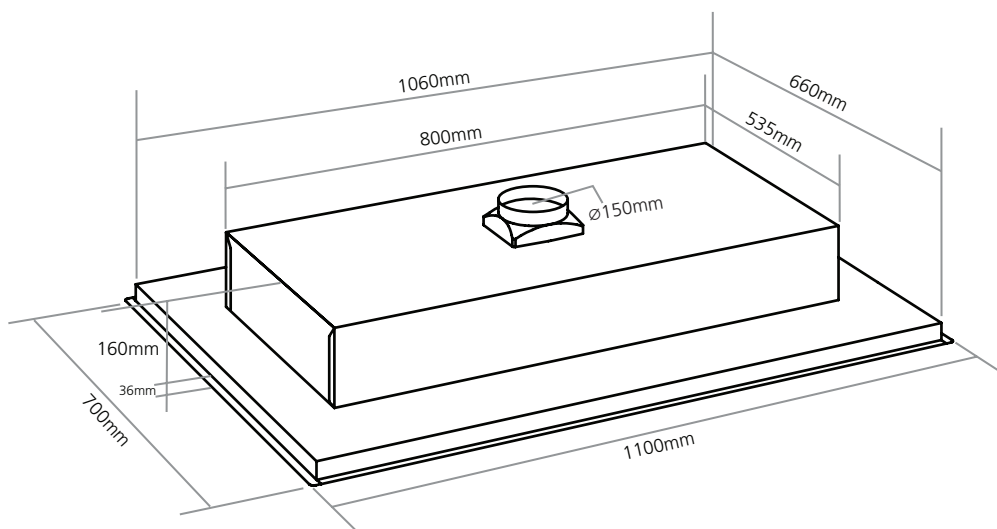


Product installation diagrams

Models:
CE1100



Minimum build in depth 270mm
