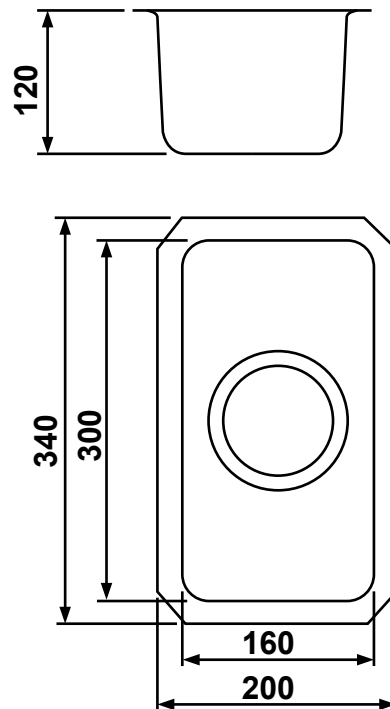


ORBIT 22 UNDERMOUNT 0.5 BOWL SINK

CODE: ORBIT22/U



Product Information

Minimum Base Unit: 250mm

Dimensions (WxDxH): 200 x 340 x 120mm

Bowl Size (WxDxH): 160 x 300 x 120mm

Material: High Grade Stainless Steel

Steel Thickness: 0.8mm Gauge



DXF File

The DXF file can be obtained by either calling **0845 257 0656** or email dxf@bluci.com