

Product Finish: Stainless steel

Product code: AT1198
EAN13 barcode: 5060048382938



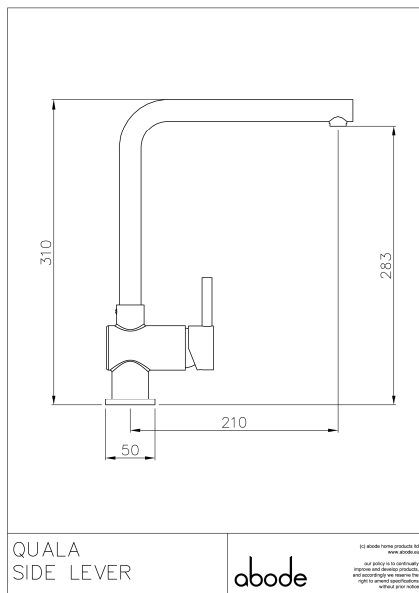
Product features:

- 304 grade brushed stainless steel construction
- Single lever control for effortless single handed control
- Crisp modernist design lines
- Antisplash spout supplied as standard
- Supplied complete with flexible tail pipes for fast simple fitting

Additional information / Parts included:

Dual fixing studs

Product dimensions:



- Overall Height / projection: 310 mm
- Exit reach: 210 mm
- Exit height: 283 mm
- Centre distance(s):

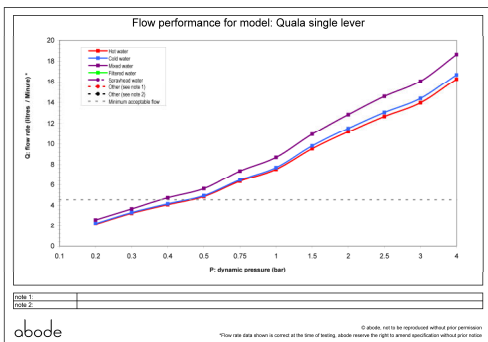
- Base diameter(s): 50 mm
- Recommended hole diameter: Ø 35 mm
- Max. surface depth: 70 mm

- Spout diameter: 22 mm
- Spout aerator size: 18mm

Packaged properties:

- Box length: 435mm
- Box width: 340mm
- Box depth: 70mm
- Units per outer: tbc
- Tap only weight: 1.34kg
- Boxed weight: 2.09kg

Product flow characteristics:



- Min / Max water pressure: 0.40 / 5.5 bar
- Recommended / Max water temperature: 46°C / 70°C
- Part G - Mixed flow rate at 3 bar (litres / min): 16.50

- Control valve type: Single lever ceramic cartridge
- Product flow characteristics: Single flow
- Non return valve(s): Cold only

- Aerator type: Plastic mesh diffuser
- Accepts revolve / spray areator: No
- Spout connection method: Grub screw

- Tail pipe inlet / outlet size: M10 / 1/2" BSP Female
- Inlet pipe type / length: flexible stainless braided hose / 400 mm

Care instructions summary:

- Clean the mixers and showers regularly as required, using soap, do not use any other cleaners.
- Regular cleaning will prevent the build up of lime scale and dirt
- After cleaning rinse thoroughly with clean water to remove any cleaner residue
- Residues of sink & worktop cleaners can also cause damage, so rinse with clean water after using, avoid contact with any abrasives

Warranty Summary (Full details available on request):

- Materials and workmanship defects warranted for 5 years
- Valves and working parts warranted for 5 years
- Surface warranty defects warranted for 1 year
- O-rings, hoses & gaskets warranted for 1 year