



Product features:

- Metal construction throughout
- Custom designed for lower range pressures
- Solid and functional Germanic design styling
- Fixed spout to prevent accidental water damage
- Luscious European quality chromium plate finish

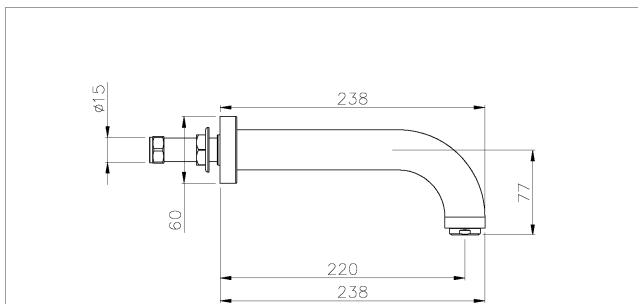
Packaged properties:

Box length: 375 mm **Box depth:** 78 mm
Box width: 175 mm **Boxed weight:** 0.78 kg

Includes pop up waste?: No

Additional comments:

Product dimensions:



- **Overall Height / projection:** 238 mm
- **Exit reach:** 220 mm
- **Exit height:** 77 mm
- **Centre distance(s):**
- **Base diameter(s):** 60 mm
- **Product mounted where:** Wall
- **Recommended hole diameter:**
- **Min. fitting depth required:** 60 mm
- **Max. surface depth:**

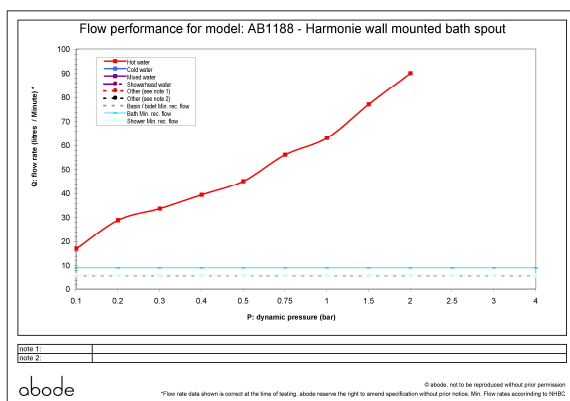
Harmonie
Wall mounted
Bath spout

AB1188 v2

(c) abode home products ltd
www.abode.eu
our policy is to continually
improve and develop products,
and accordingly we reserve the
right to amend specifications
without prior notice

abode

Product flow characteristics:



- **Min / Max water pressure:** 0.1 / 5 bar
- **Part G mixed flow rate at 3 bar (l/m):** >90
- **Max water temperature:** 70° C
- **Product flow characteristics:** Single flow
- **Aerator type:** White flow straightener
- **Includes output diverter?:** No
- **Control valve type:** ()
- **Non return valve position:**
- **Mesh particle filter size:**
- **Inlet / outlet size:** 1/2" M /
- **Inlet type / length:** Fixed / 50 mm
- **Shower hose type / length:**

Warranty Summary (Full details available on request):

- Materials and workmanship defects warranted for 5 years
- Valves and working parts warranted for 5 years
- Surface warranty defects warranted for 1 year
- O-rings, hoses & gaskets warranted for 1 year

Care instructions:

- Clean the mixers and showers regularly as required, using soap, do not use any other cleaners.
- Regular cleaning will prevent the build up of lime scale and dirt
- After cleaning rinse thoroughly with clean water to remove any cleaner residue
- Residues of liquid soaps, shampoos and shower foams can also cause damage, so rinse with clean water after using, avoid contact with any abrasives