



### Product features:

- Metal construction throughout
- Single spray pattern showerhead
- Swivel showerhead connector for maximum flexibility
- The perfect combination of European design styles

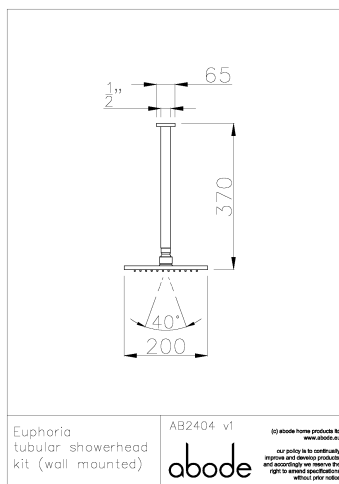
### Packaged properties:

**Box length:** 520 mm      **Box depth:** 105 mm  
**Box width:** 215 mm      **Boxed weight:** 1.39 kg

**Includes pop up waste?:** No

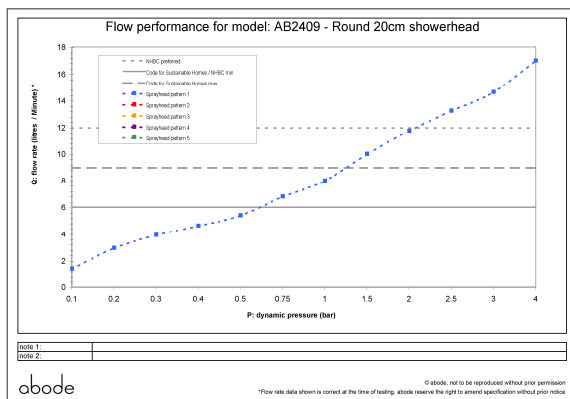
**Additional comments:**  
 See AB2415 & AB2409

### Product dimensions:



- **Overall Height / projection:** 370 mm
- **Exit reach:** 370 mm
- **Exit height:**
- **Centre distance(s):**
- **Base diameter(s):** 65 mm
- **Product mounted where:** Roof
- **Recommended hole diameter:**
- **Min. fitting depth required:**
- **Max. surface depth:**

### Product flow characteristics:



- **Min / Max water pressure:** 0.3 / 5 bar
- **Part G mixed flow rate at 3 bar (l/m):** 14.64

- **Max water temperature:** 70° C
- **Product flow characteristics:**
- **Aerator type:**
- **Includes output diverter?:** No
- **Control valve type:** ( )
- **Non return valve position:**
- **Mesh particle filter size:**
- **Inlet / outlet size:** 1/2" F / TBC
- **Inlet type / length:** Fixed / mm
- **Shower hose type / length:**

### Warranty Summary (Full details available on request):

- Materials and workmanship defects warranted for 5 years
- Valves and working parts warranted for 5 years
- Surface warranty defects warranted for 1 year
- O-rings, hoses & gaskets warranted for 1 year

### Care instructions:

- Clean the mixers and showers regularly as required, using soap, do not use any other cleaners.
- Regular cleaning will prevent the build up of lime scale and dirt
- After cleaning rinse thoroughly with clean water to remove any cleaner residue
- Residues of liquid soaps, shampoos and shower foams can also cause damage, so rinse with clean water after using, avoid contact with any abrasives