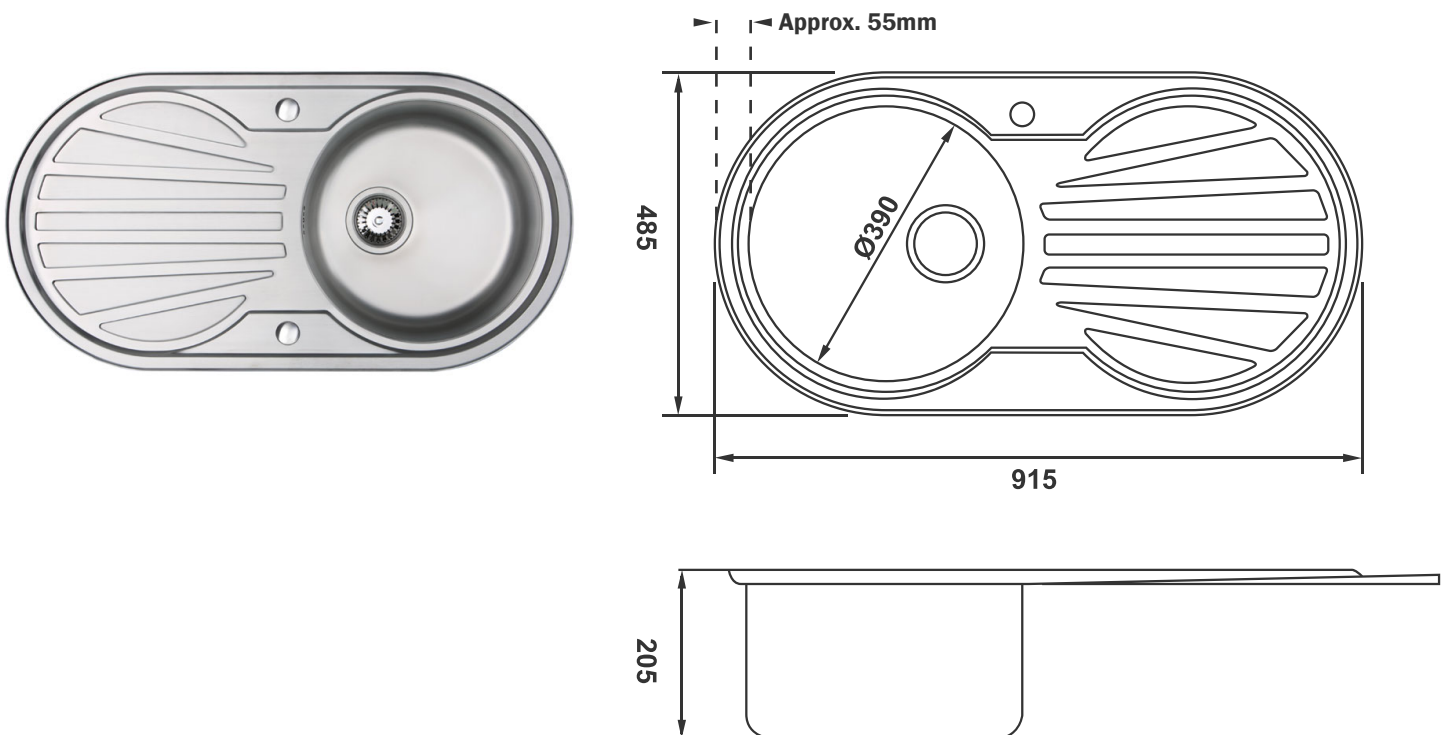


RUBUS 101BD INSET 1.0 BOWL SINK

CODE: RUBUS-101BD



Product Information

Minimum Base Unit: 450mm

Dimensions (WxDxH): 915 x 485 x 205mm

Bowl Diameter: 390mm

Material: High Grade Stainless Steel

Steel Thickness: 0.8mm Gauge



DXF File

The DXF file can be obtained by either calling **0845 257 0656** or email dxf@bluci.com