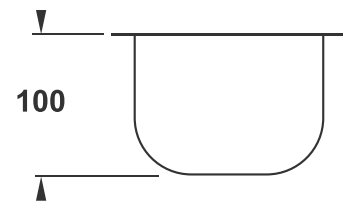
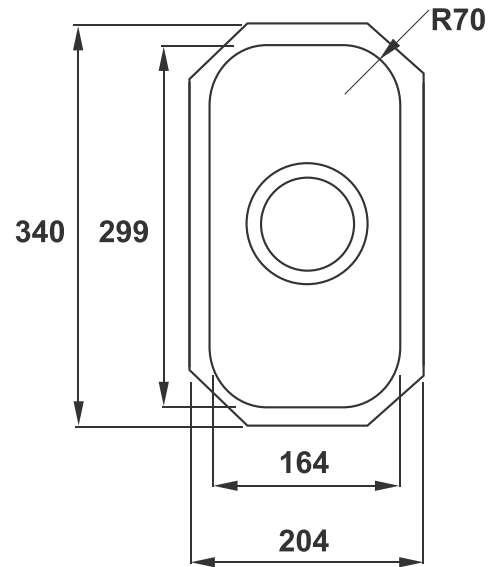


# RUBUS 20U UNDERMOUNT 0.5 BOWL SINK

CODE: RUBUS20U



## Product Information

**Minimum Base Unit:** 250mm

**Dimensions (WxDxH):** 204 x 340 x 100mm

**Bowl Size (WxDxH):** 164 x 299 x 100mm

**Material:** High Grade Stainless Steel

**Steel Thickness:** 0.8mm Gauge



**DXF File**

The DXF file can be obtained by either calling **0845 257 0656** or email [dxp@bluci.com](mailto:dxp@bluci.com)