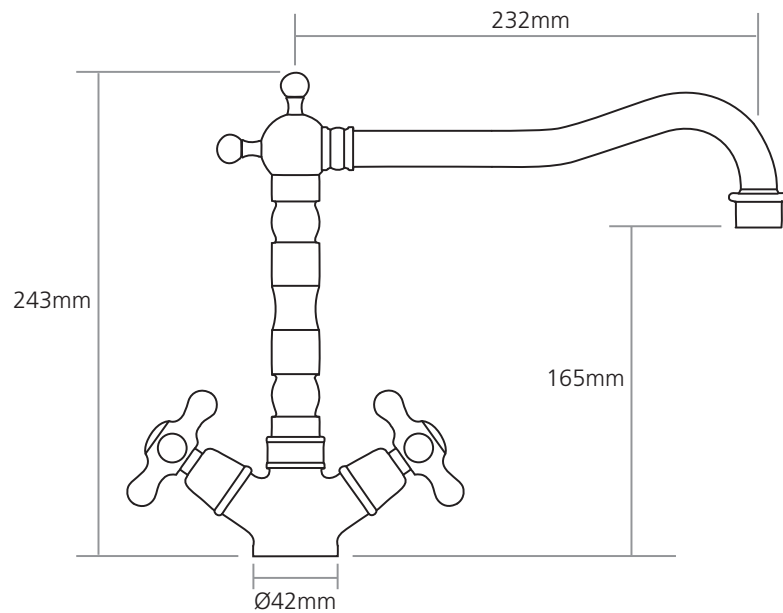


Product installation diagrams

Models:
ANT3



Worktop cut-out 35mm required
