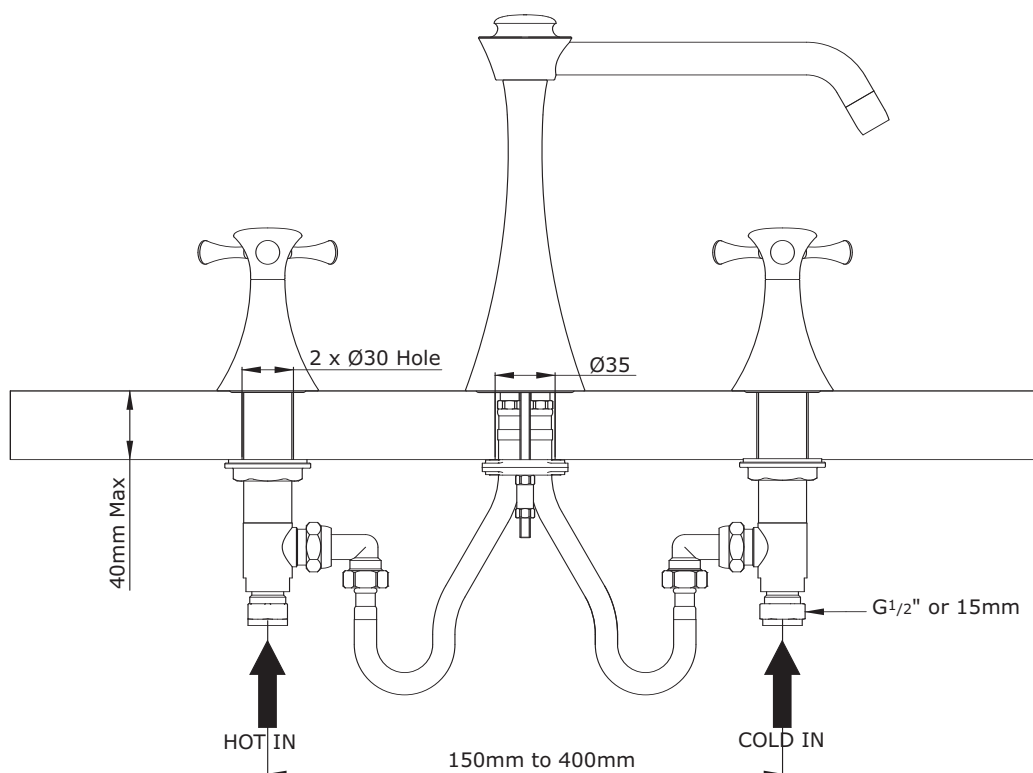


Specification 4592



Oasis designed by Mark Wilkinson Three Hole Mixer with Crosshead Handles

- 1/4 turn ceramic disc flow control. ● vernier insert for accurate handle alignment.
- unique handle construction with integral bearing ring.
- ideal performance obtained with equal hot and cold pressures.



Temp Range:

min 1°C/34°F

max 85°C/185°F

Recommended working pressure:

min 1 bar/15 psi

max 5 bar/75 psi



Specification 4592



Oasis designed by Mark Wilkinson Three Hole Mixer with Crosshead Handles

- 1/4 turn ceramic disc flow control. ● vernier insert for accurate handle alignment.
- unique handle construction with integral bearing ring.
- ideal performance obtained with equal hot and cold pressures.

Where * Indicated Specify Colour.

