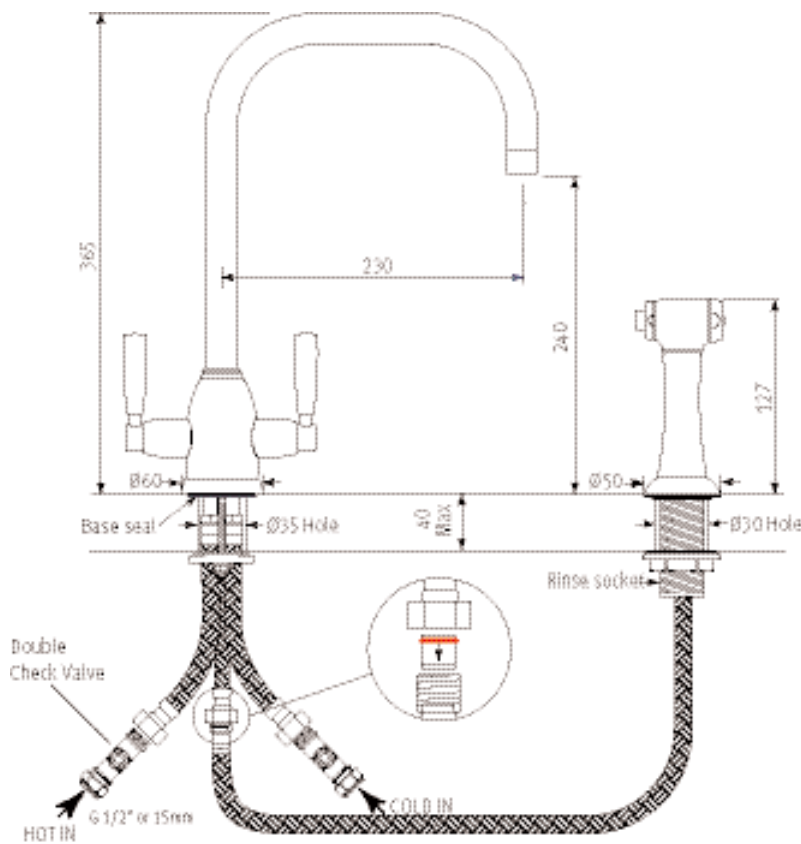


Specification 4868



Oberon Monobloc Sink Mixer with 'U' Spout & Rinse

- 1/4 turn ceramic disc flow control.
- vernier insert for accurate handle alignment.
- unique handle construction with integral bearing ring.
- flexible connectors for easier installation.
- Pull out rinse with insulated handle.
- flexible connectors for easier installation.



Temp Range:

min 1°C/34°F
max 85°C/185°F

Recommended working pressure:

min 1 bar/15 psi
max 5 bar/75 psi

Specification 4868



Oberon Monobloc Sink Mixer with 'U' Spout & Rinse

- 1/4 turn ceramic disc flow control.
- vernier insert for accurate handle alignment.
- unique handle construction with integral bearing ring.
- flexible connectors for easier installation.
- Pull out rinse with insulated handle.
- flexible connectors for easier installation.

