

Product Finish: Chrome

Product code: AT1080
EAN13 barcode: 5060048380798



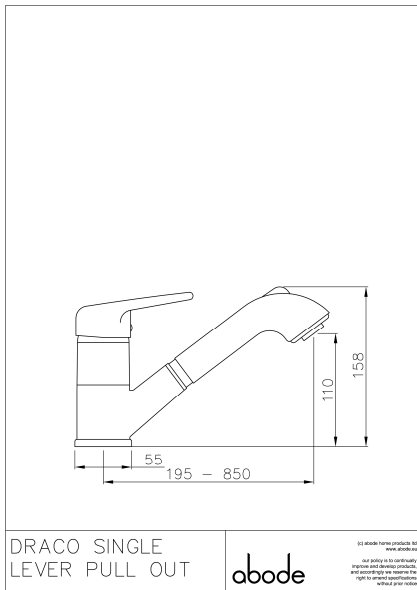
Product features:

- Metal & ABS construction
- Leading design performance requiring higher pressures
- A modern design classic style
- 90 degree restricted spout rotation
- Self cancelling diverter included for maximum flexibility

Additional information / Parts included:

Shower spray / jet button action

Product dimensions:



- **Overall Height / projection:** 158 mm
- **Exit reach:** 195 - 850 mm
- **Exit height:** 110 mm
- **Centre distance(s):**

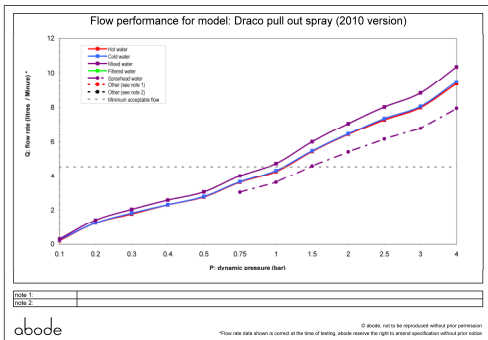
- **Base diameter(s):** 55 mm
- **Recommended hole diameter:** Ø 35 mm
- **Max. surface depth:** 50 mm

- **Spout diameter:** n/a mm
- **Spout aerator size:** 22f

Packaged properties:

- Box length:** 420mm
- Box width:** 240mm
- Box depth:** 75mm
- Units per outer:** 5
- Tap only weight:** 1.52kg
- Boxed weight:** 2.48kg

Product flow characteristics:



- **Min / Max water pressure:** 1.00 / 5.5 bar
- **Recommended / Max water temperature:** 46°C / 70°C
- **Part G - Mixed flow rate at 3 bar (litres / min):** 08.83

- **Control valve type:** Single lever ceramic cartridge
- **Product flow characteristics:** Single flow
- **Non return valve(s):** Hot & cold brass

- **Aerator type:** Plastic mesh diffuser
- **Accepts revolve / spray areator:** No
- **Spout connection method:** N/a

- **Tail pipe inlet / outlet size:** M8 / 1/2" BSP Female
- **Inlet pipe type / length:** flexible nylon braided hose / 270 mm

Care instructions summary:

- Clean the mixers and showers regularly as required, using soap, do not use any other cleaners.
- Regular cleaning will prevent the build up of lime scale and dirt
- After cleaning rinse thoroughly with clean water to remove any cleaner residue
- Residues of sink & worktop cleaners can also cause damage, so rinse with clean water after using, avoid contact with any abrasives

Warranty Summary (Full details available on request):

- Materials and workmanship defects warranted for 5 years
- Valves and working parts warranted for 5 years
- Surface warranty defects warranted for 1 year
- O-rings, hoses & gaskets warranted for 1 year