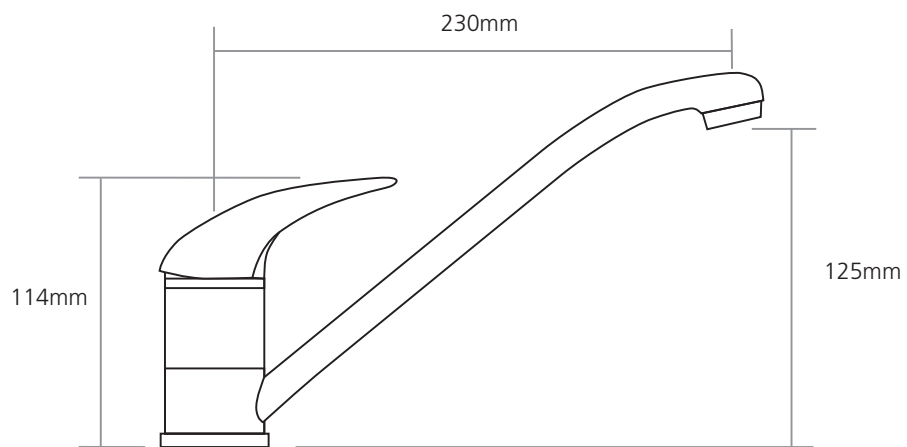


Product installation diagrams

Models:
SL6



Worktop cut-out 35mm required
