

Product Finish: Chrome

Product code: AT1058
EAN13 barcode: 5060048380576

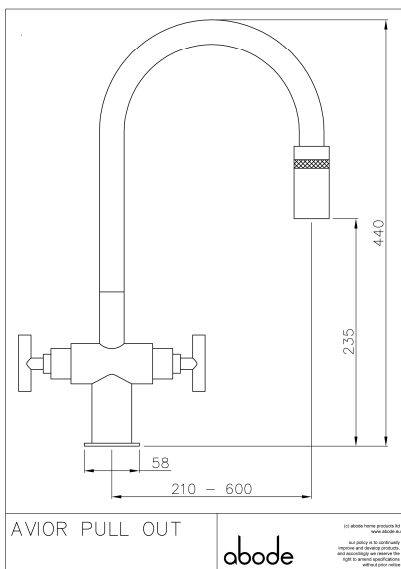


Product features:

- Metal construction throughout
- Quarter turn handle action for precise flow control
- Solid and functional European architect design styling
- Extending spout end for ease of use (non spray)
- Antisplash spout supplied as standard

Additional information / Parts included:

Product dimensions:



- Overall Height / projection: 440 mm
- Exit reach: 210-600 mm
- Exit height: 235 mm
- Centre distance(s):

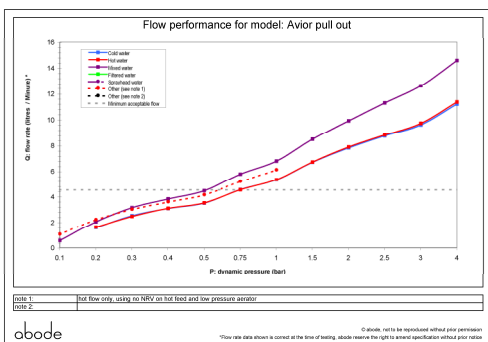
- Base diameter(s): 58 mm
- Recommended hole diameter: Ø 35 mm
- Max. surface depth: 20 mm

- Spout diameter: 26 mm
- Spout aerator size: 24mm

Packaged properties:

- Box length: 430mm
- Box width: 340mm
- Box depth: 70mm
- Units per outer: 5
- Tap only weight: 2.13kg
- Boxed weight: 3.41kg

Product flow characteristics:



- Min / Max water pressure: 0.50 / 5.5 bar
- Recommended / Max water temperature: 46°C / 70°C
- Part G - Mixed flow rate at 3 bar (litres / min): 12.60

- Control valve type: Ceramic disc QT
- Product flow characteristics: Single flow
- Non return valve(s): Hot & cold (integral to tails)

- Aerator type: Plastic mesh diffuser & flow straightener
- Accepts revolve / spray areator: No
- Spout connection method: One way snap fit

- Tail pipe inlet / outlet size: M10 / 1/2" BSP Male
- Inlet pipe type / length: flexible stainless braided hose / 270 mm

Care instructions summary:

- Clean the mixers and showers regularly as required, using soap, do not use any other cleaners.
- Regular cleaning will prevent the build up of lime scale and dirt
- After cleaning rinse thoroughly with clean water to remove any cleaner residue
- Residues of sink & worktop cleaners can also cause damage, so rinse with clean water after using, avoid contact with any abrasives

Warranty Summary (Full details available on request):

- Materials and workmanship defects warranted for 5 years
- Valves and working parts warranted for 5 years
- Surface warranty defects warranted for 1 year
- O-rings, hoses & gaskets warranted for 1 year